

Hydraulic Threaded-Body Cylinders

TC Series



Description

This threaded-body clamping cylinder is applied to a condition of knocking-out, and applies a clamping force on a workpiece within a stroke in order to secure the workpiece. The mounting manner for this threaded-body clamping cylinder is shown as the following drawing illustrating suggested dimensions of devices, and this mounting needs a Teflon packing in order to avoid oil leakage.

Type

Series A: Knocking-out heads without female thread

Series B: Knocking-out heads with female thread

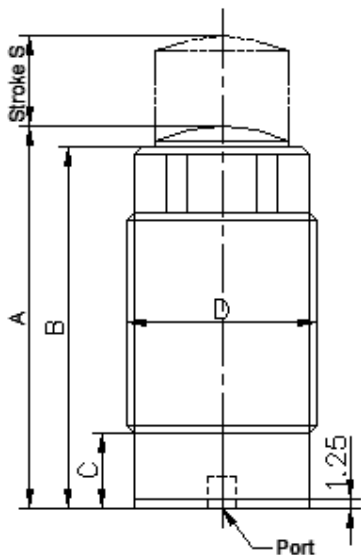
Ordering example:

TC - **12** **A**
 Base No. Piston ϕ Series
 12 A: without female thread
 16 B: with female thread
 20
 25

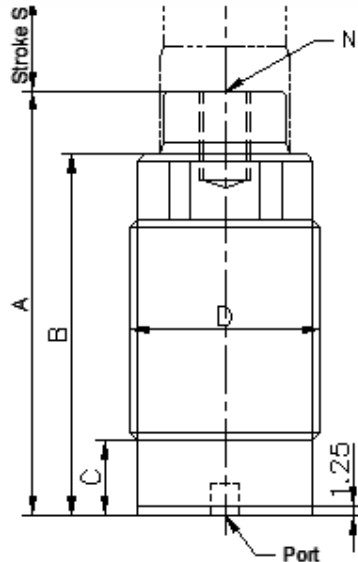
	TC-12A	TC-16A	TC-20A	TC-25A	TC-12B	TC-16B	TC-20B	TC-25B
Operating Oil Pressure	20-350 kg/cm ²							
Acting Type	Single Acting							
Stroke S(mm)	10	12	15	16	10	12	15	16
Piston Rod ϕ (mm)	12	16	20	25	12	16	20	25
Clamping Force (200 kg/cm ²)	200(kg)	400(kg)	620(kg)	980(kg)	200(kg)	400(kg)	620(kg)	980(kg)
A (mm)	38	46.5	56	57	45	52	64.5	67
B (mm)	36	44.5	54	55	36	44.5	54	55
C (mm)	7	8	8	11	7	8	8	11
D (mm)	M22x1.5	M26x1.5	M30x1.5	M38x1.5	M22x1.5	M26x1.5	M30x1.5	M38x1.5
F (mm)	12	16	20	25	12	16	20	25
G (mm)	16	20	24	28	16	20	24	28
H (mm)	6	7	7	10	6	7	7	10
N (mm)	-----	-----	-----	-----	M6x1	M6x1	M8x1.25	M8x1.25

Hydraulic Threaded-Body Cylinders

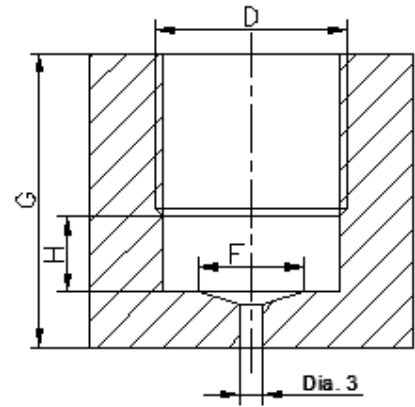
TC Series



Series A
Solid Plunger



Series B
Tapped Plunger



Mounting Diagram