

# Threaded-body Cylinder

最大使用壓力 Max: 350kg/cm<sup>2</sup>

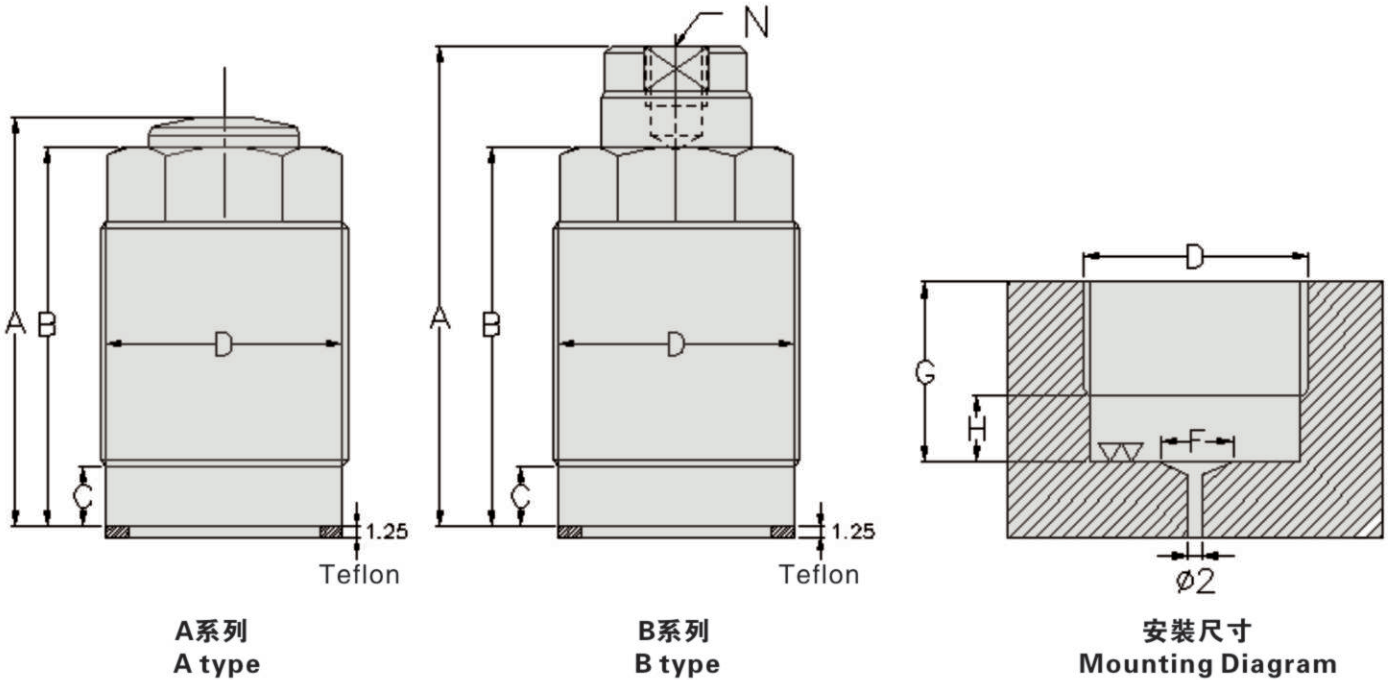
TC series

## 產品說明：

- 此外螺牙式小型單動油壓缸適用於頂出之場合，在行程中施加挾持力于工件上以固定工件。
- 此外螺牙式小型單動油壓缸包括平頭頂出型(A系列)及內螺紋頂出型(B系列)。
- 需另制作油路塊,如下圖安裝尺寸。

## Application

- This hydraulic Threaded-body cylinder is a single acting cylinder and is applied to a condition of knocking-out, and it applies a clamping force on a workpiece within a stroke to secure the workpiece.
- A series: knocking-out heads without female thread.
- B series: knocking-out heads with female thread.
- Mounting manner is shown as the following drawing illustrating suggested dimension of devices, and this mounting needs a teflon packing in order to avoid oil leakage.



規格型號 Model	TC-12A	TC-16A	TC-20A	TC-25A	TC-12B	TC-16B	TC-20B	TC-25B
一般使用壓力 normal pressure	20-350 kg/cm <sup>2</sup>							
缸體運行方式 acting type	單動 single acting							
頂出行程 stroke	10	12	15	16	10	12	15	16
活塞直徑 bore dia.	12	16	20	25	12	16	20	25
理論夾力(200kg/cm <sup>2</sup> ) clamping force	200kg	400kg	620kg	980kg	200kg	400kg	620kg	980kg
A	38	46.5	56	57	45	52	64.5	67
B	36	44.5	54	55	36	44.5	54	55
C	7	8	8	11	7	8	8	11
D	M22x1.5	M26x1.5	M30x1.5	M38x1.5	M22x1.5	M26x1.5	M30x1.5	M38x1.5
N	-	-	-	-	M6x1.0	M6x1.0	M8x1.25	M8x1.25
F	12	16	20	25	12	16	20	25
G(min)	16	20	24	28	16	20	24	28
H(max)	6	7	7	10	6	7	7	10
weight 重量 kg	0.1	0.15	0.30	0.40	0.10	0.15	0.30	0.40

unit 單位: mm