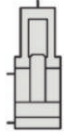


Hydraulic Booster

HB series



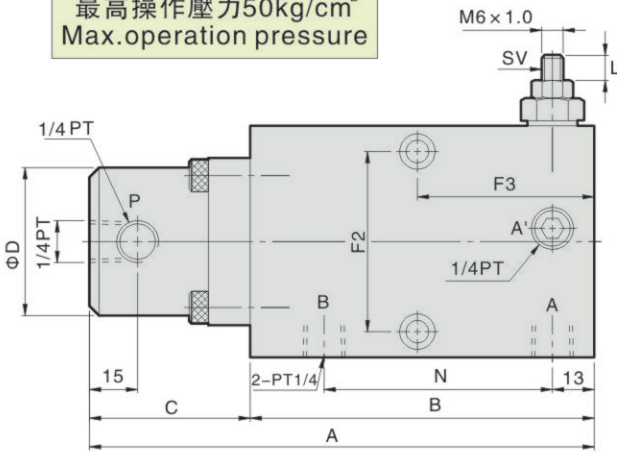
產品簡介:

- 本產品機構內附油壓順序閥，預壓式特性操作時可將動作缸充滿油，達到預先設計之壓力順序閥動作，即可得到數倍增壓。
- 適用於油壓專用機，MC治具低壓回路中，部分油壓缸需高壓操作之場合，僅需一只電磁閥安裝于管路中，即可操作HB增壓器，可將低油壓自動轉換成高油壓，獲得高壓夾持。

Application

- A hydraulic sequential valve is attached to the structure of this unit. When operating, it makes oil to cylinder and makes the cylinder be at the dual pressure and let the sequential valve act, and then it will provide a multiple boosting pressure.
- Ideal for hydraulic special purpose machine and MC clamping in low-pressure circuit. When working condition operate a HB super-charge to convert automatically from low oil-pressure to high oil-pressure and obtain a high pressure clamping.

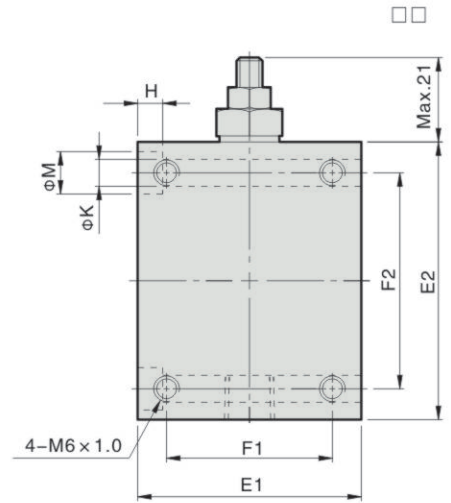
最高操作壓力50kg/cm²
Max. operation pressure



Adjustment reference for sv sequence valve

M6長度L M6 Length L mm	7	6	5	4	3	2	1
啓動壓力 Start Pressure kg/cm ²	20	25	30	35	40	45	50

出廠設定壓力 30kg/cm²
Pressure set at 30kg/cm²



規格型號 Type	HB-9x6	HB-8x22	HB-5x35	HB-3.8x45
增壓倍數	9	8	5	3.8
高壓吐出量	6cc	22cc	35cc	45cc
A	157	210	210	210
B	107	139	139	139
C	50	71	71	71
D	φ46	φ58	φ58	φ58
E1	58	82	82	82
E2	72	95	95	95
F1	43	62	62	62
F2	56	80	80	80
F3	55	70	70	70
H	7	9	9	9
K	φ7	φ9	φ9	φ9
M	φ11	φ14	φ14	φ14
N	71	96	96	96
weight 重量 kg	3.7	8.8	8.8	8.8

unit 單位: mm

迴路圖 Circuit diagram

